

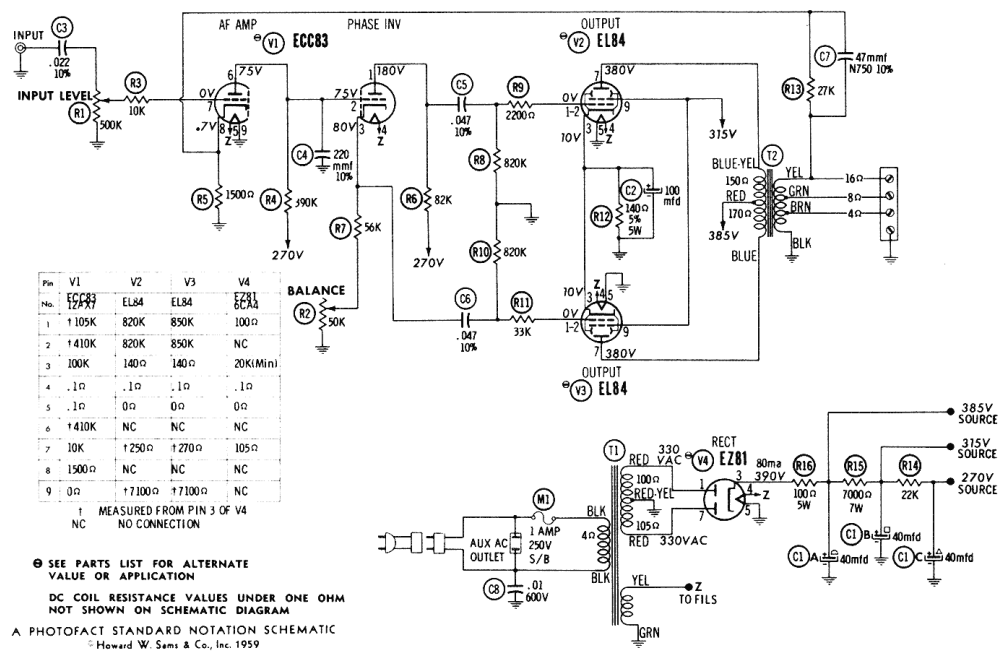


FISHER MODEL
30-A



FISHER MODEL
30-A

TRADE NAME	Fisher Model 30-A (Serial #30001-39999 inclusive)		
MANUFACTURER	Fisher Radio Corp., 21-21 44th Drive, Long Island City 1, N. Y.		
TYPE SET	AC Operated 4 Tube Audio Amplifier		
POWER SUPPLY	105 - 125 Volts AC, 60 Cycles	RATING	62 Watts, .63 Amp. @ 117 Volts AC



HOWARD W. SAMs & CO., INC. Indianapolis 6, Indiana

The listing of any available replacement part herein does not constitute in any case a recommendation, warranty or guaranty by Howard W. Sams & Co., Inc., as to the quality and suitability of such replacement part. The numbers of these parts have been compiled from information furnished to Howard W. Sams & Co., Inc., by the manufacturers of JX328

the particular type of replacement part listed. Reproduction or use, without express permission, of editorial or pictorial content, in any manner, is prohibited. No patent liability is assumed with respect to the use of the information contained herein. © 1959 Howard W. Sams & Co., Inc., Indianapolis 6, Indiana. Printed in U.S. of America

PARTS LIST AND DESCRIPTIONS TUBES

ITEM No.	USE	TYPE	ITEM No.	USE	TYPE
V1	AF Amp. -Phase Inv.	ECC83/12AX7(7025)*	V3	Output Rectifier	EL84/6BQ5 (7189)*
V2	Output	EL84/6BQ5 (7189)*	V4	Rectifier	E281/6CA4

* Alternate

• CBS • GENERAL ELECTRIC • RAYTHEON • SYLVANIA •

ELECTROLYTIC CAPACITORS

ITEM No.	RATING	REPLACEMENT DATA				NOTES
		FISHER PART No.	AEROVOX PART No.	CORNELL-DUBILIER PART No.	MALLORY PART No.	
C1A	450	C677-120	AFH3-44	C0350	FP377	TMT-40 TVL-3787
B	350					
C	350					
C2	100 25	C677-145	SRE25V100	BBR100-25	TC2501	ML100-25 TE-1211

FIXED CAPACITORS

Capacity values given in the rating column are in mfd. for Paper Capacitors, and in mmfd. for Mica and Ceramic Capacitors.

ITEM No.	RATING	REPLACEMENT DATA				NOTES
		FISHER PART No.	AEROVOX PART No.	CORNELL-DUBILIER PART No.	MALLORY PART No.	
C3	.022	C50074-26	V84C4S23	PM4S22	L10T22	GTM-4122 4TM-S22
C4	.220	CC2IGP21K5	NPO-SI 220	D6-221	JL-322	5GA-T22S 10%*
C5	.047	C50074-37	V84C6S47	PM6S47	GTM-6147	6TM-S47
C6	.047	C50074-37	V84C6S47	PM6S47	GTM-6147	6TM-S47
C7	.47	C2IGP470K5	N750-SI 47	TCN-47	CNT-447	5TCU-Q47S 10%*
C8	.01	C2747	P688N-01	D6-103	CUB6S1	GEM-611 6TM-SI

* Not normally in distributor's stock. Available thru distributor on order to manufacturer.

CONTROLS

ITEM No.	RATING	REPLACEMENT DATA			INSTALLATION NOTES
		FISHER PART No.	CENTRALAB PART No.	IRC PART No.	
R1A	500K	JP-504	48M-500K-S	Q11-123	Input Level Phase Inverter Balance
R2	50K	BX-31	A47-50K-S	SU-35	
B	Shaft	Not Req.	FKS-1/4	Not Req.	

RESISTORS

All wattages 1/2 watt, or less, unless otherwise listed.

ITEM No.	RATING	REMARKS	ITEM No.	RATING	REMARKS
R4	390K		R14	22K	
R5	1500Ω		R15	7000Ω 7W	
R6	82K		R16	1000Ω 5W	
R7	56K				

TRANSFORMER (POWER)

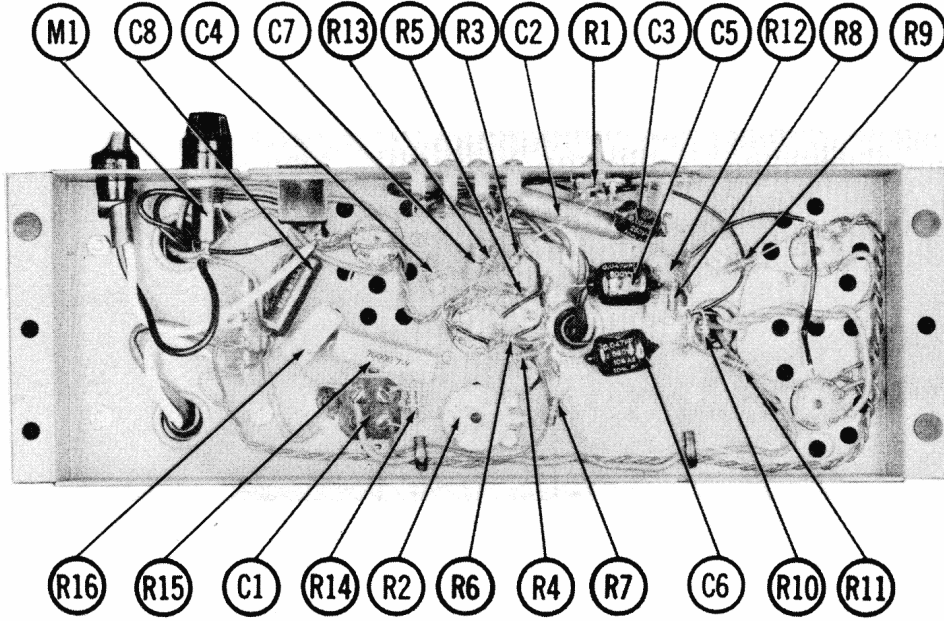
ITEM No.	RATING	REPLACEMENT DATA			Triad PART No.
		FISHER PART No.	Healdorson PART No.	Meritt PART No.	
T1	117V @ .63A SEC. 1 660 VCT @ .080A SEC. 2 2.8A	T725-115	24R40U	P-3152①	R-11A①

① Drill New Mounting Holes.

TRANSFORMER (AUDIO OUTPUT)

ITEM No.	IMPEDANCE	REPLACEMENT DATA			NOTES
		FISHER PART No.	Healdorson PART No.	Meritt PART No.	
T2	7000Ω CT	T725-116	22S66①	A-3128①	① Drill New Mounting Holes

CHASSIS BOTTOM VIEW



FUSES

ITEM No.	TYPE	RATING	REPLACEMENT DATA		
			FISHER PART No.	LITTELFUSE PART No.	BUSS PART No.
M1	3AG	1A 250V S/B	F692-132	31300L (3AG 1A 250V) S/B	MDL 1 HKP

WIRING DATA

General-use Unshielded Hook-up Wire Use BELDEN No. 8530 (Solid) Available in Ten Colors
 8524 (Stranded) Available in Ten Colors
 Power Cord Use BELDEN No. 1765-B (6 Ft. Length)
 1725-K (7 1/2 Ft. Length)